

# Fault Tolerant CAN (SJA1000FT) Version 2.0

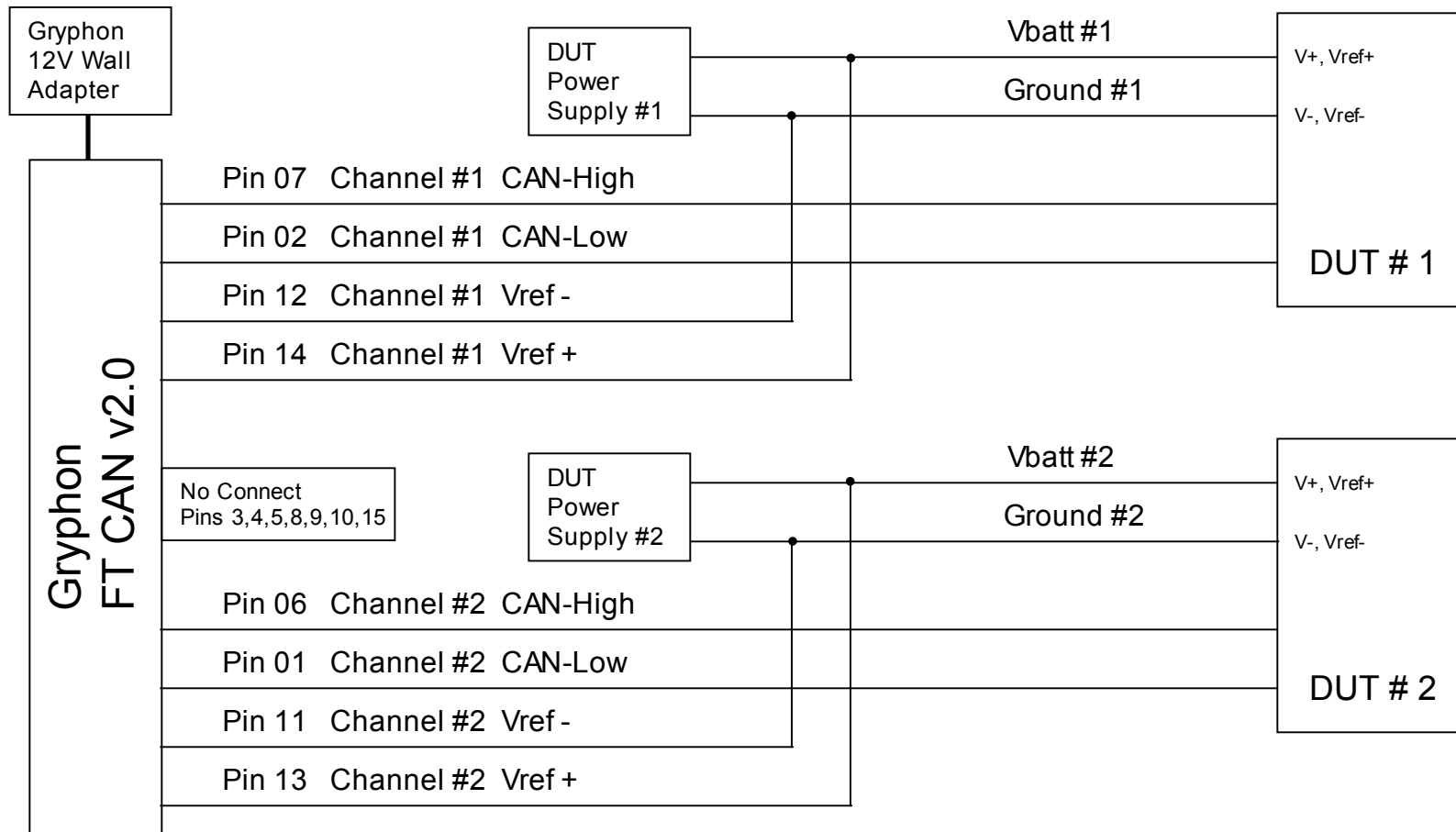
Gryphon to DUT (Device Under Test) Recommended wiring  
(Using Gryphon Power Adapter to power Gryphon and a separate power supply for DUT)

**Note:**

**Gryphon is powered from the 12V power adapter supplied with it.**

**No power connections are required to Gryphon pin V+in and V-in**

**Fault Tolerant CAN does not require 120 ohm termination like regular CAN**



# Fault Tolerant CAN (SJA1000FT) Version 2.0

## Gryphon to DUT (Device Under Test) Recommended wiring (Using a common power supply between Gryphon and one DUT)

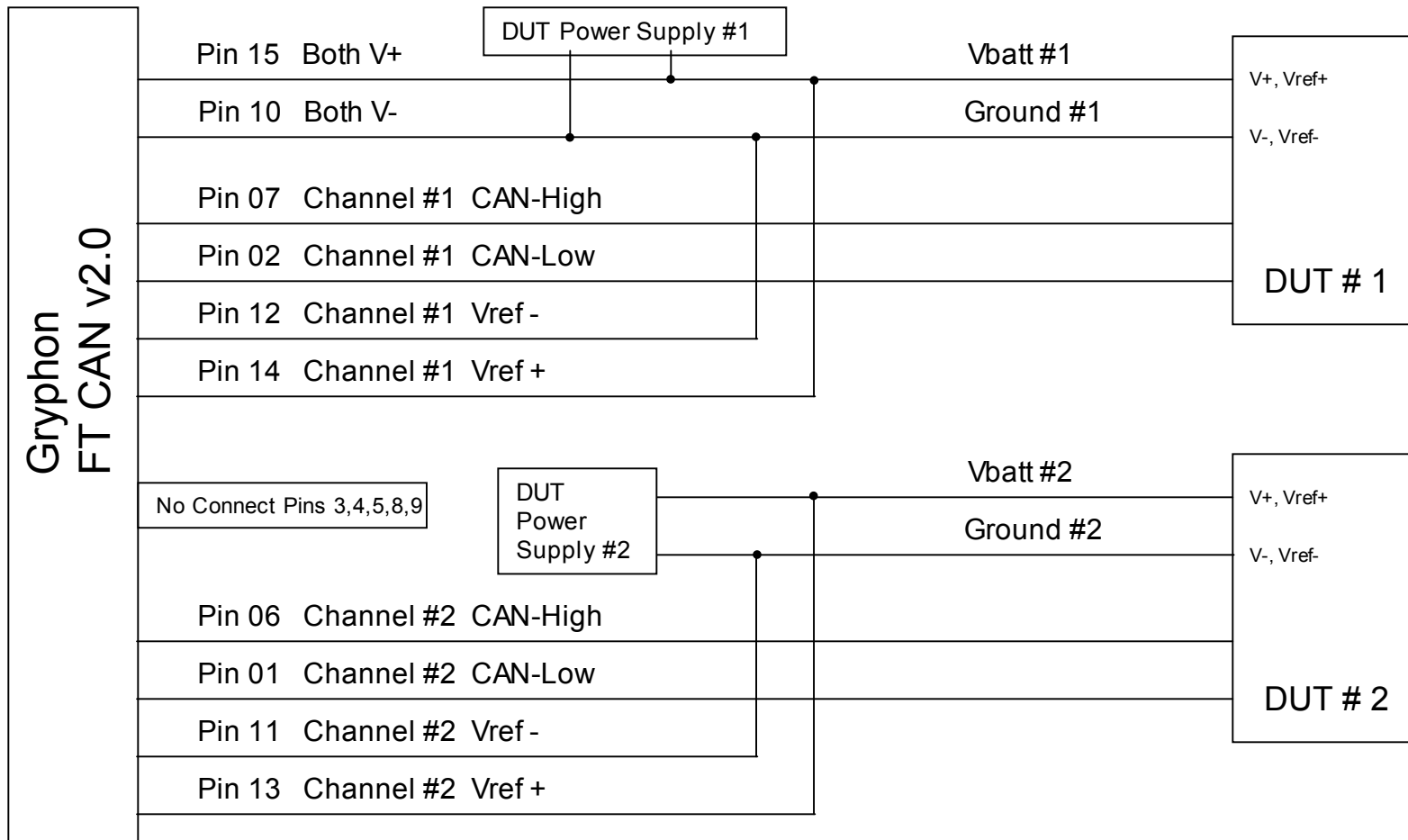
**Note:**

**Gryphon is powered from the same power source as one DUT.**

**Fault Tolerant CAN does not require 120 ohm termination like regular CAN**

**If Gryphon has multiple cards, only one card should be wired to power the Gryphon.**

**Do not use the AC wall adapter under this configuration.**



# Fault Tolerant CAN (SJA1000FT) Version 2.0

## Gryphon to Gryphon wiring (Multiple Gryphon Channels)

**Note:**

Each Gryphon is powered from its own individual AC wall adapter.

The power supplied for Vref- and Vref+ is a separate power supply.

Fault Tolerant CAN does not require 120 ohm termination like regular CAN

